
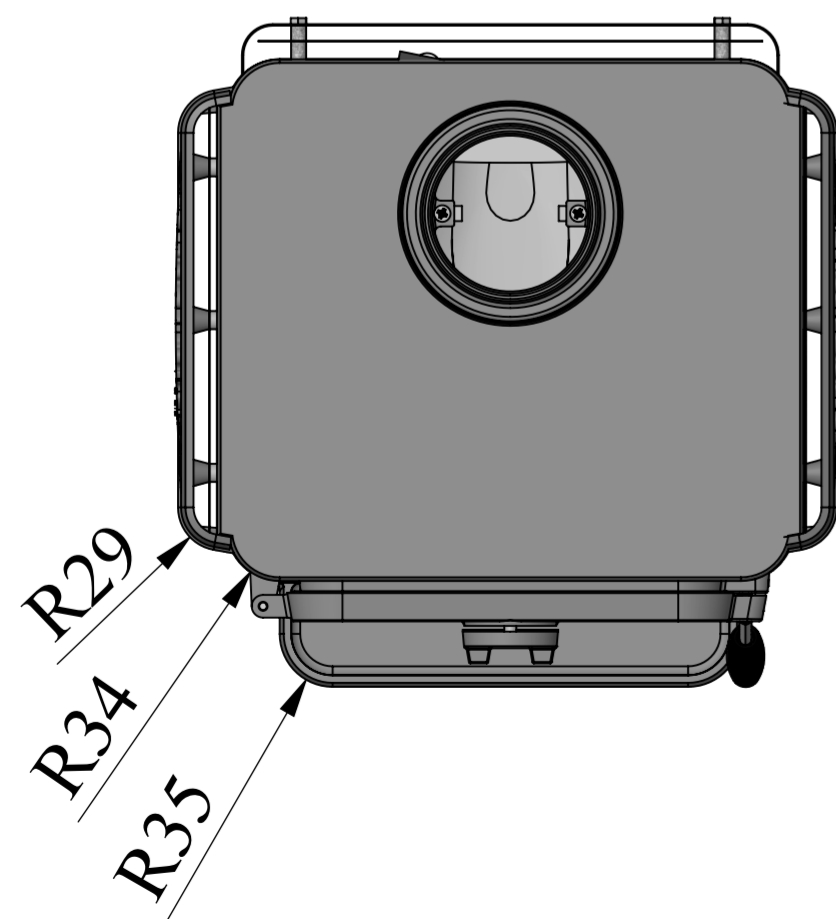
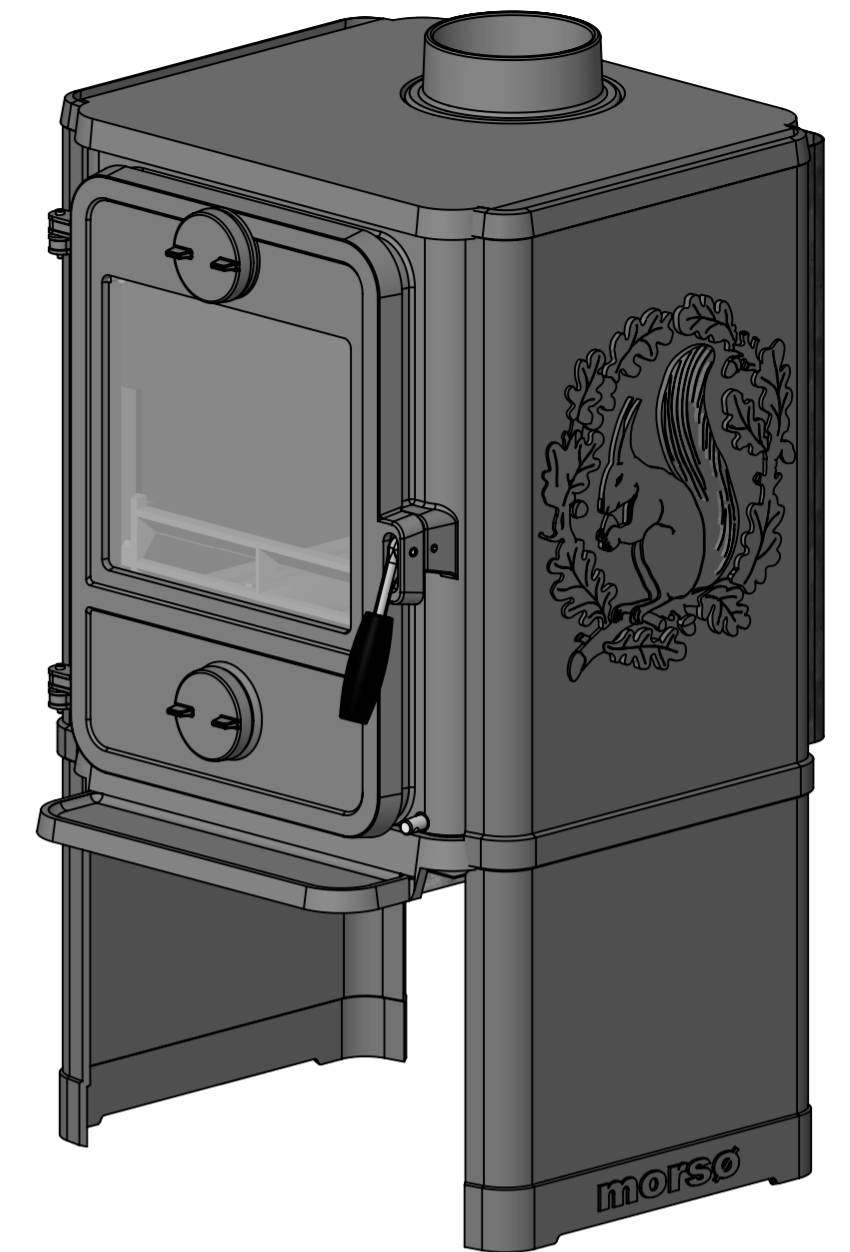
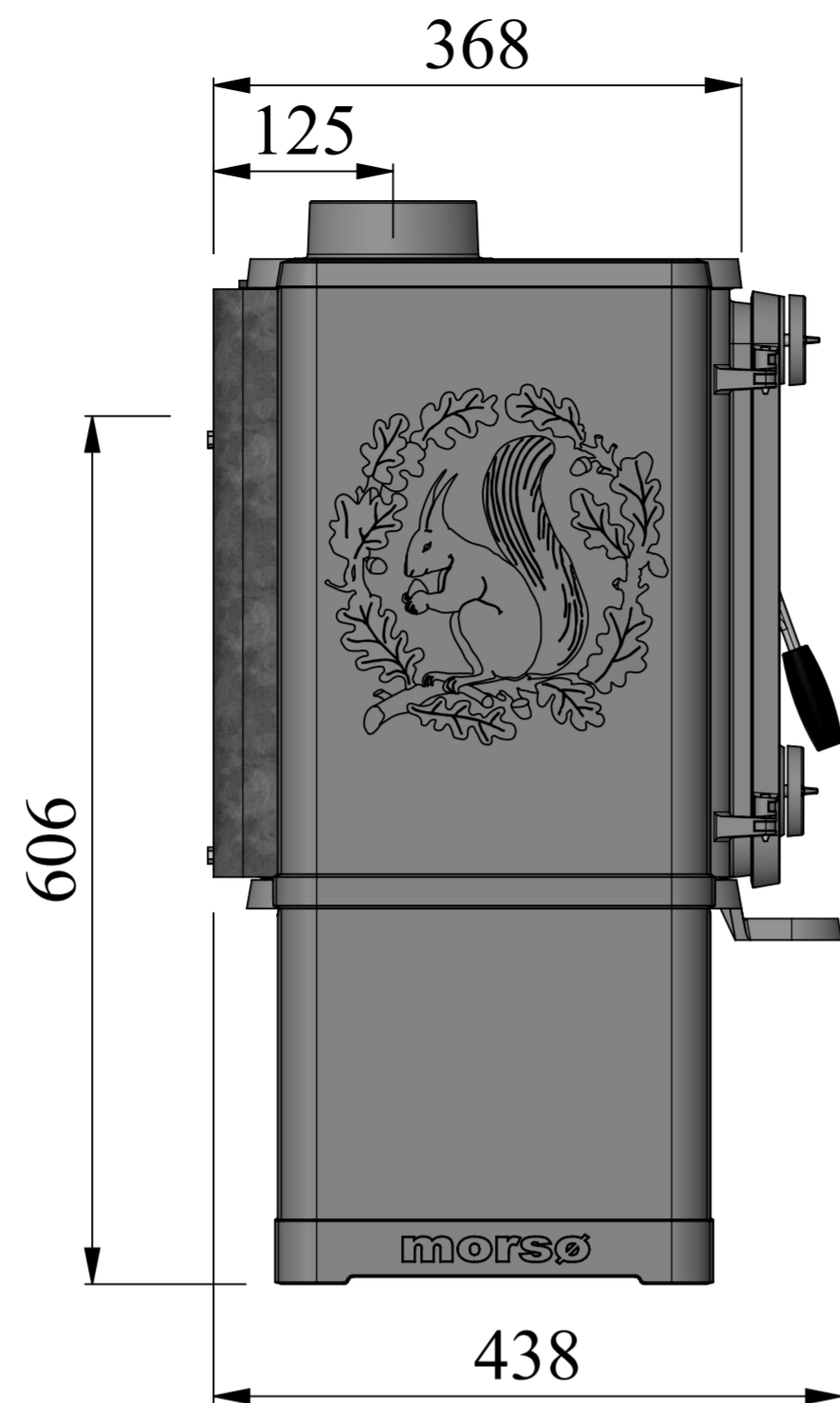
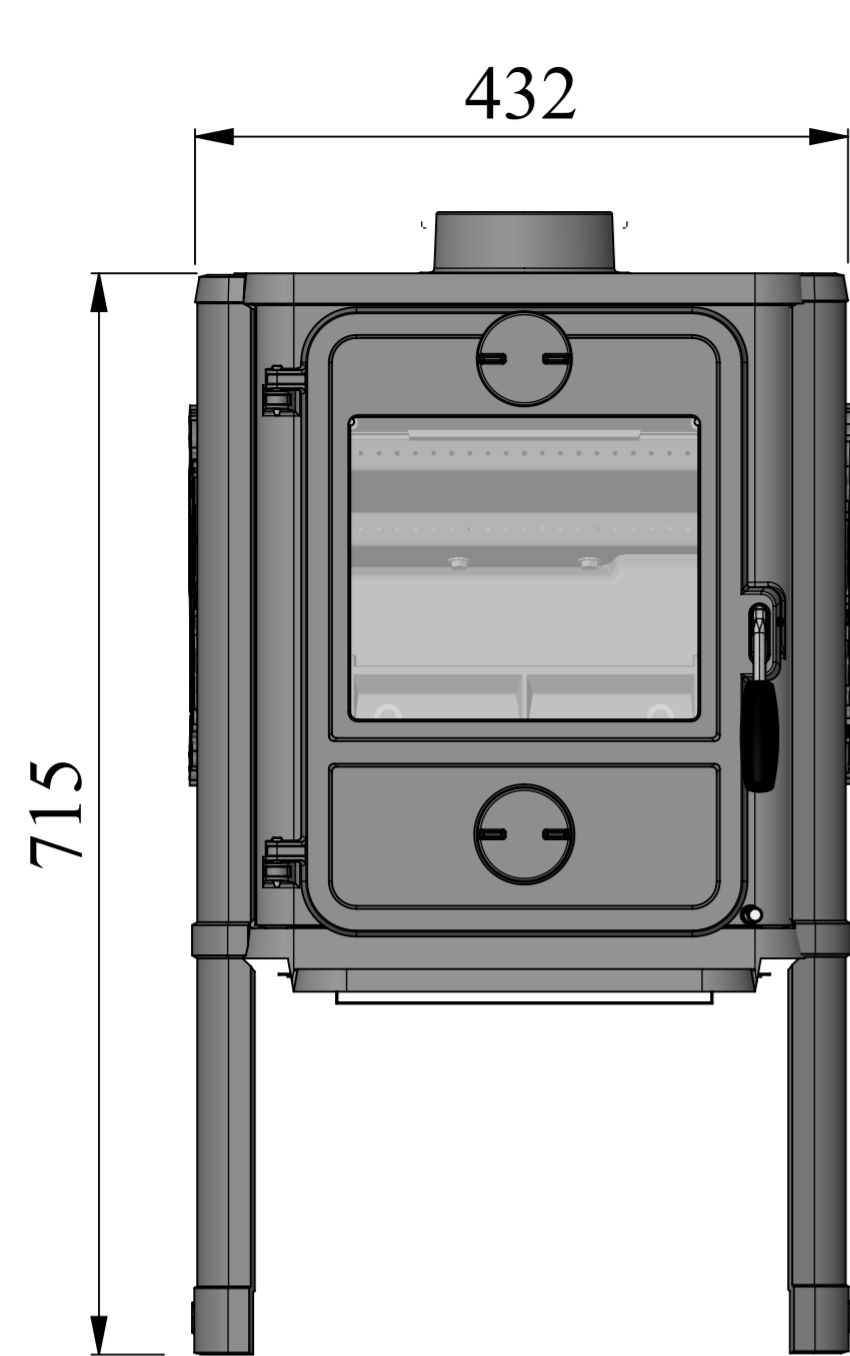



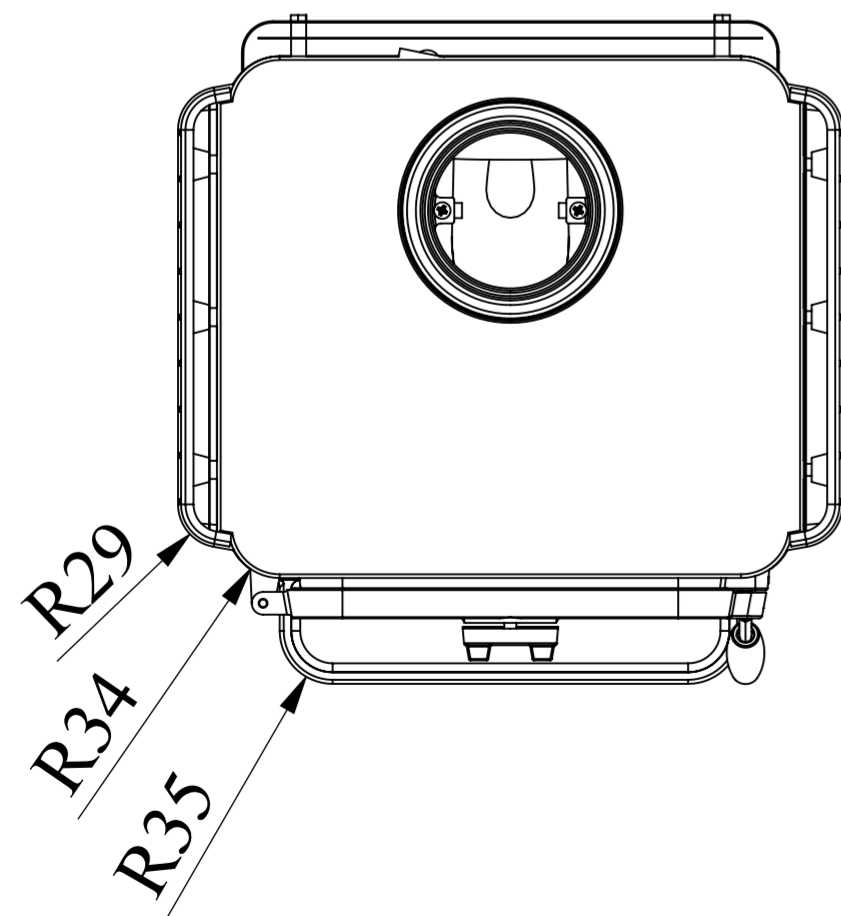
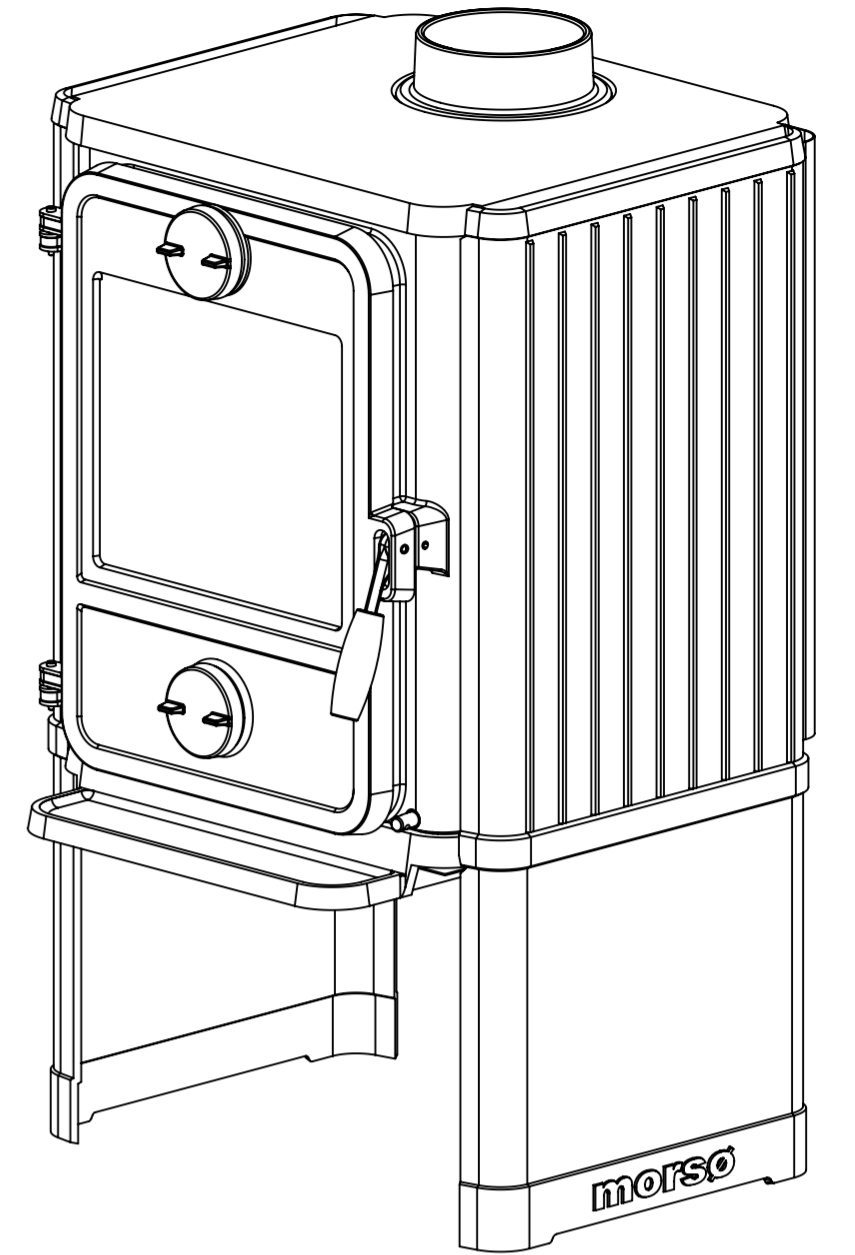
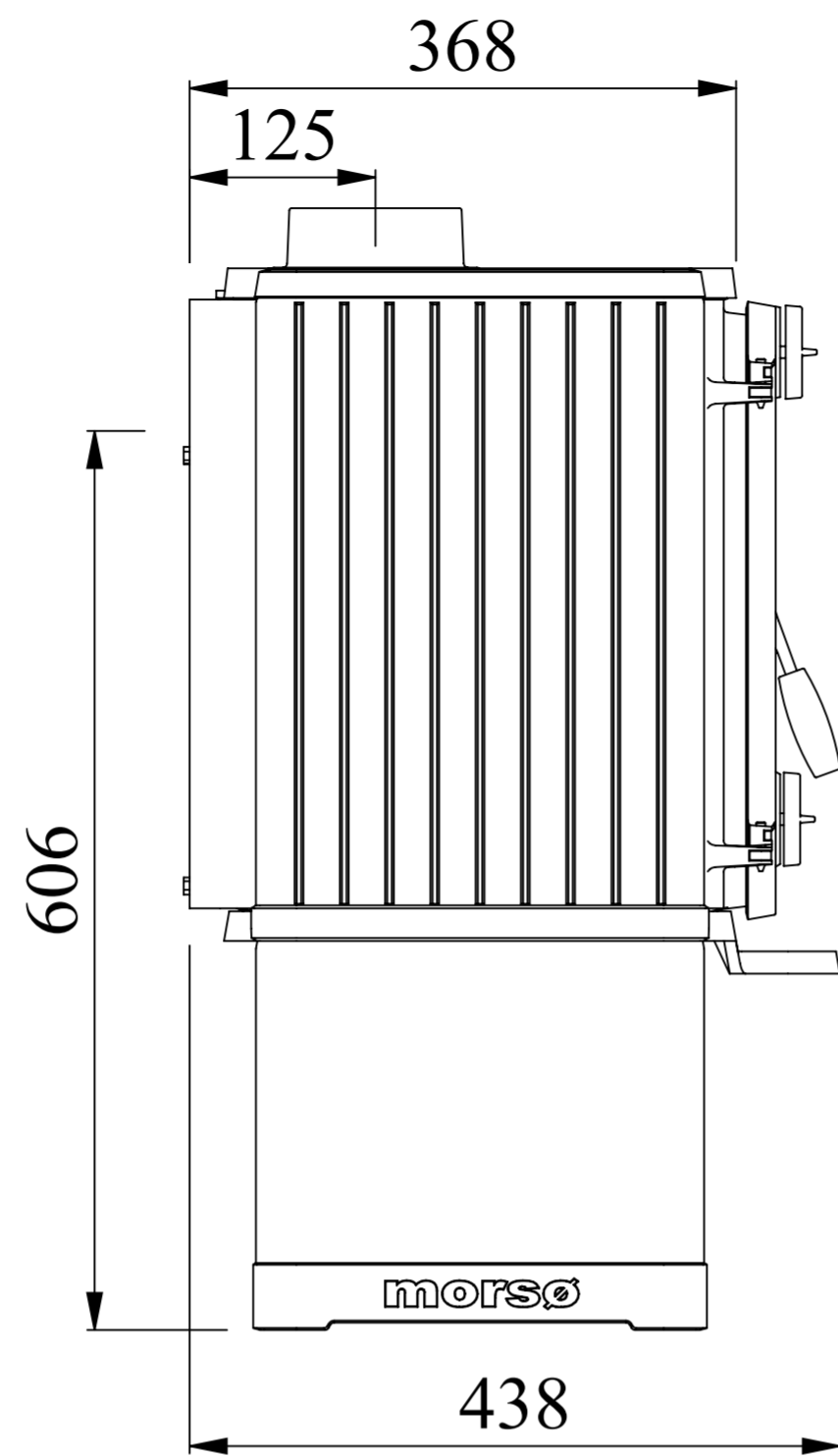
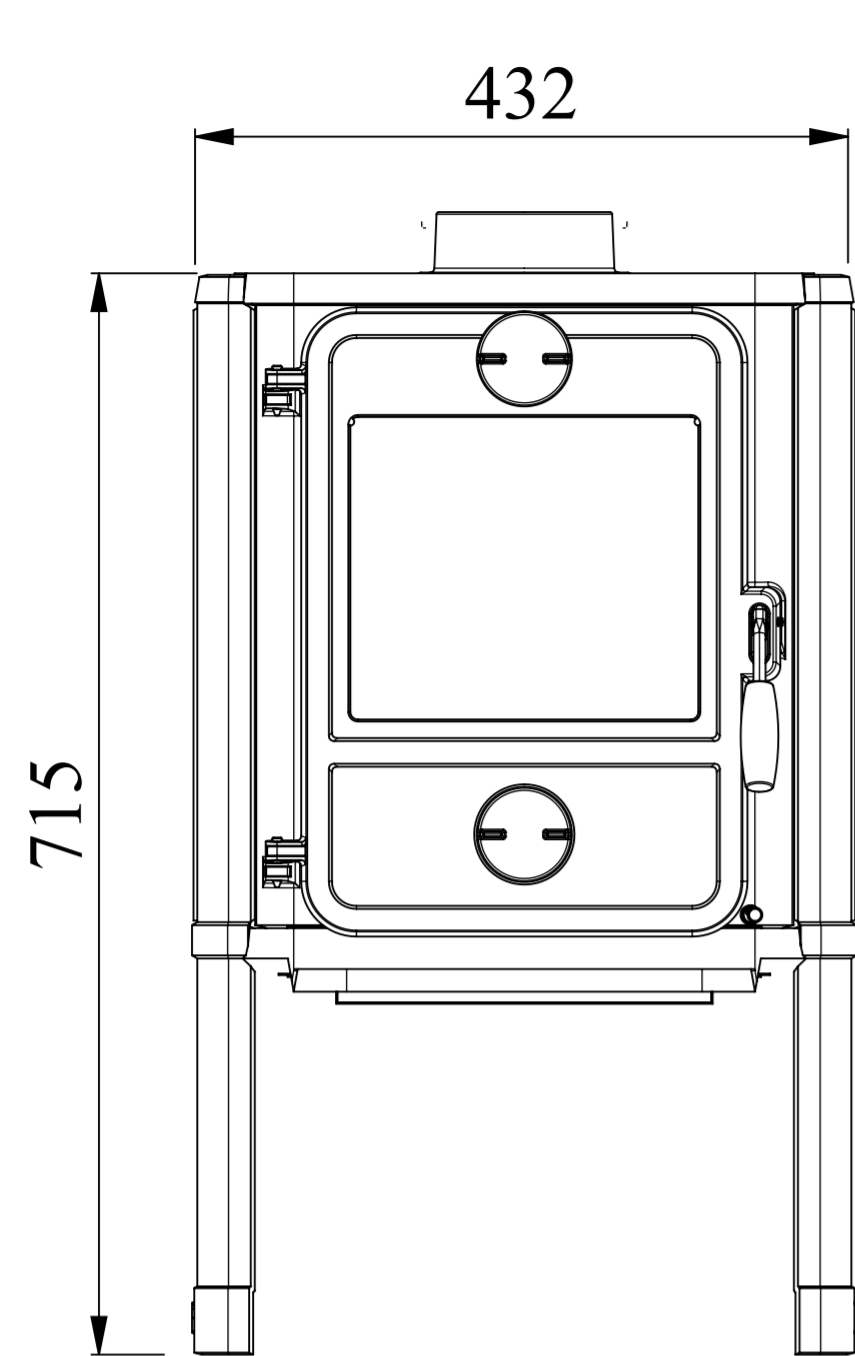
b		Tilføjet top view.	RSV	03.09.2010
Rev.		Revisions	Sign.:	Date:
		Title:	Construction:	RSV
		Maalskitse	Released:	
Material:		1442 EN	Format:	A2
Weight:		Morsø 1400	Scale:	1:5
Model no.		-	Itemno.:	
Drawingtype:			Drawing no.:	Side 1 of 4
Location of file:		C:\Working\1400 Samling\tegning\3.DASM	 1400-342 b	


This drawing is Morsø Jernstøberi A/S' property and must not be sold, lendet or copied without any written authorization from the company.



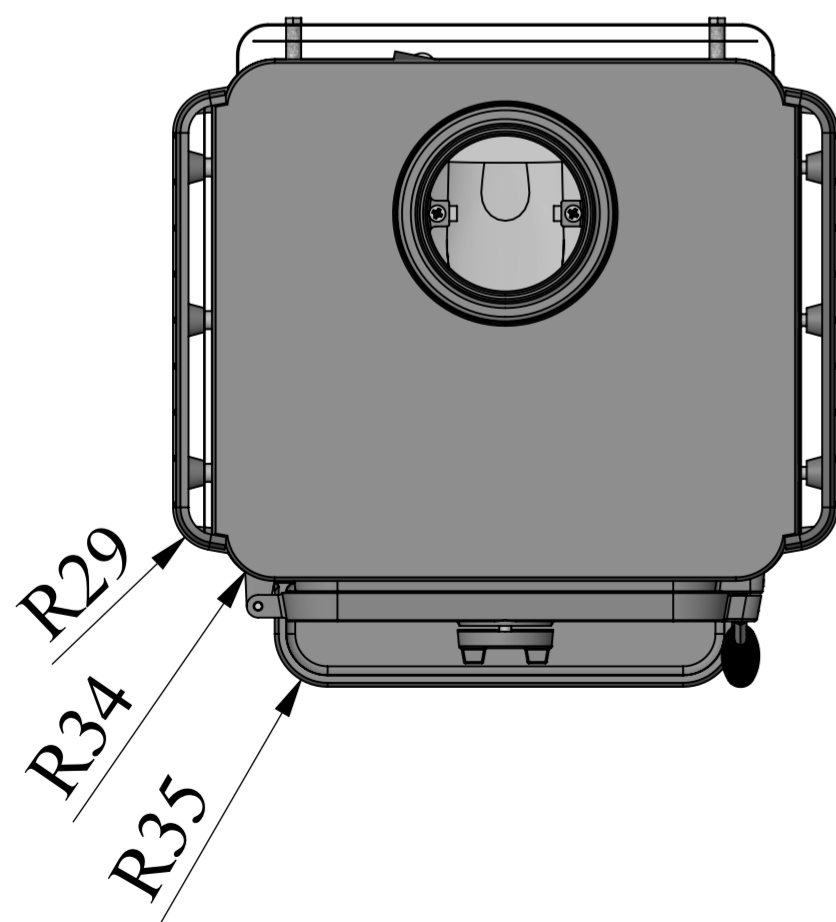
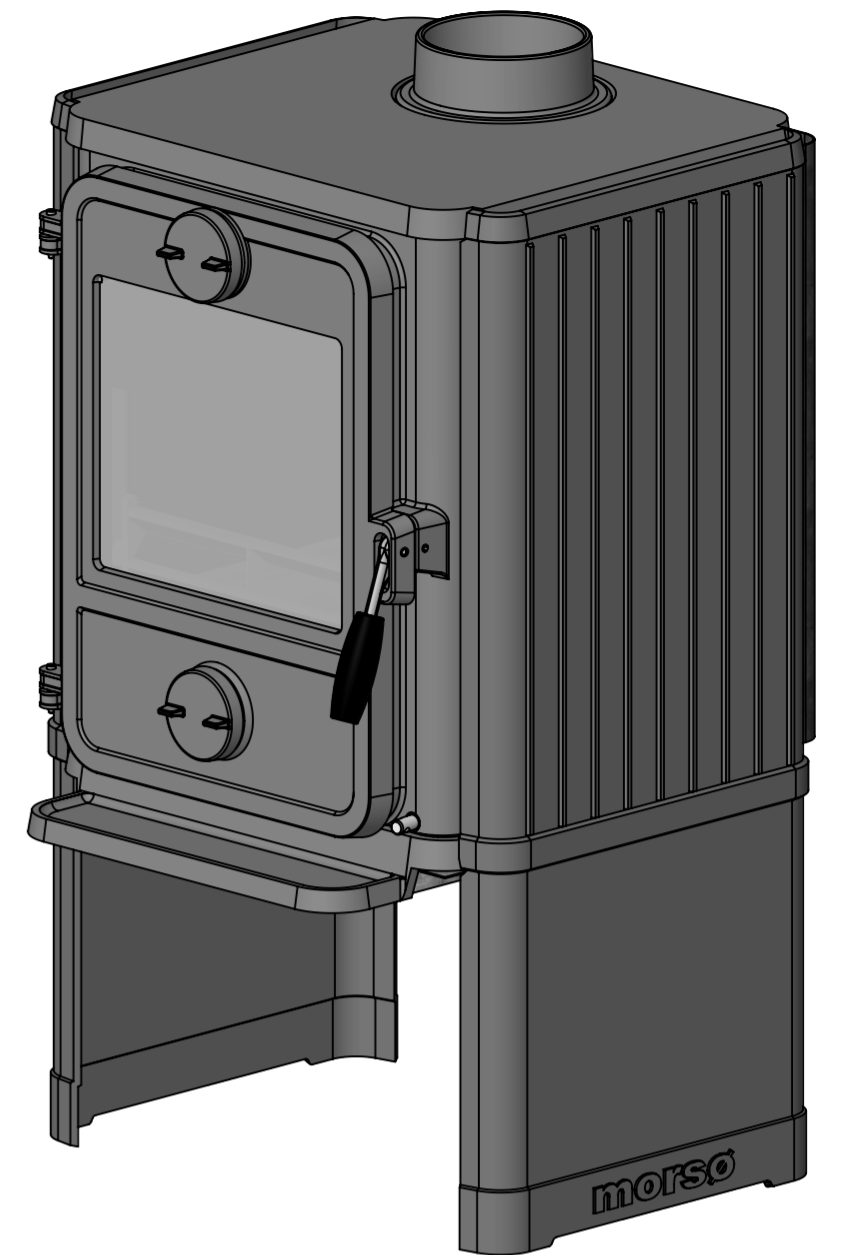
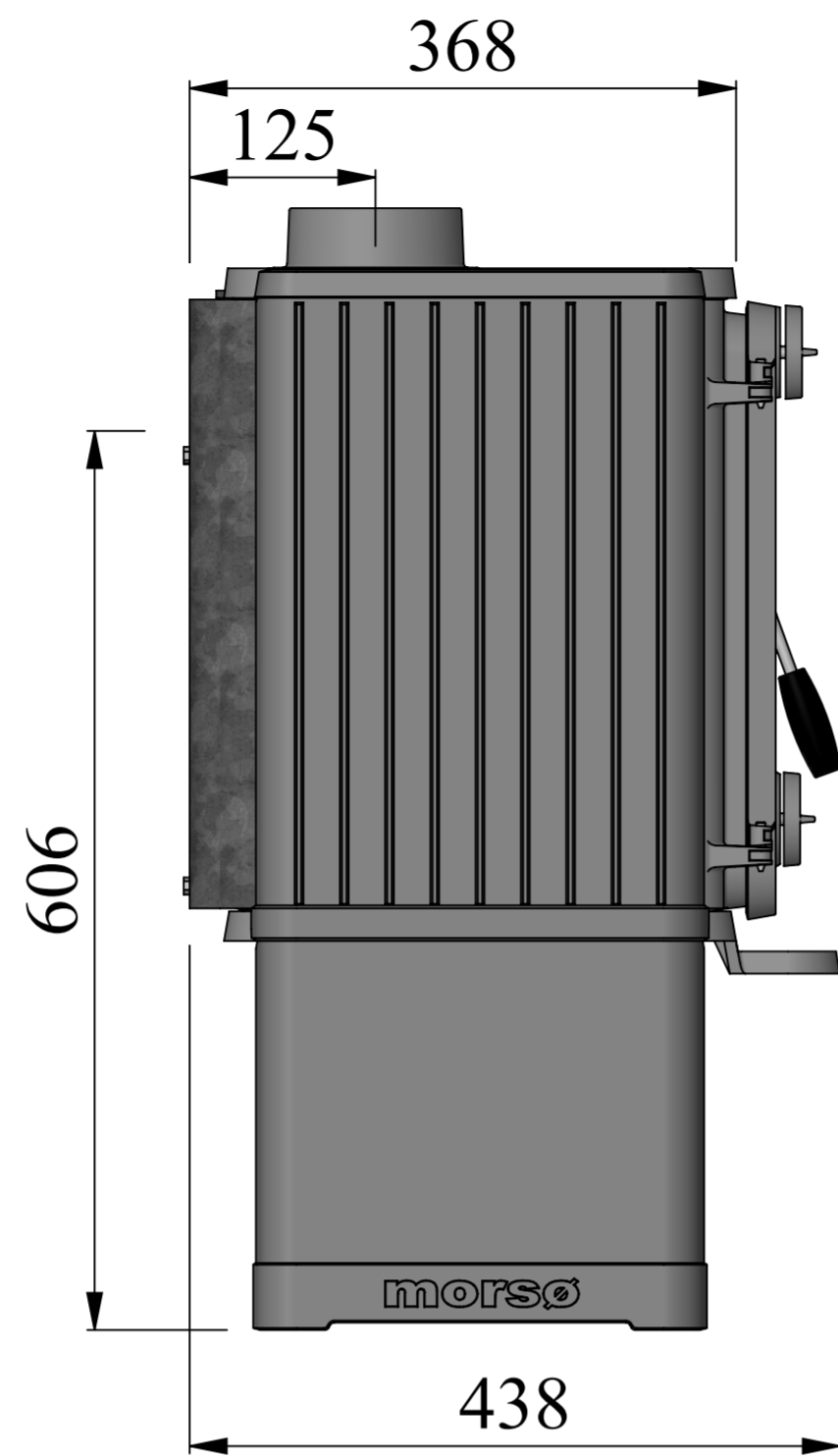
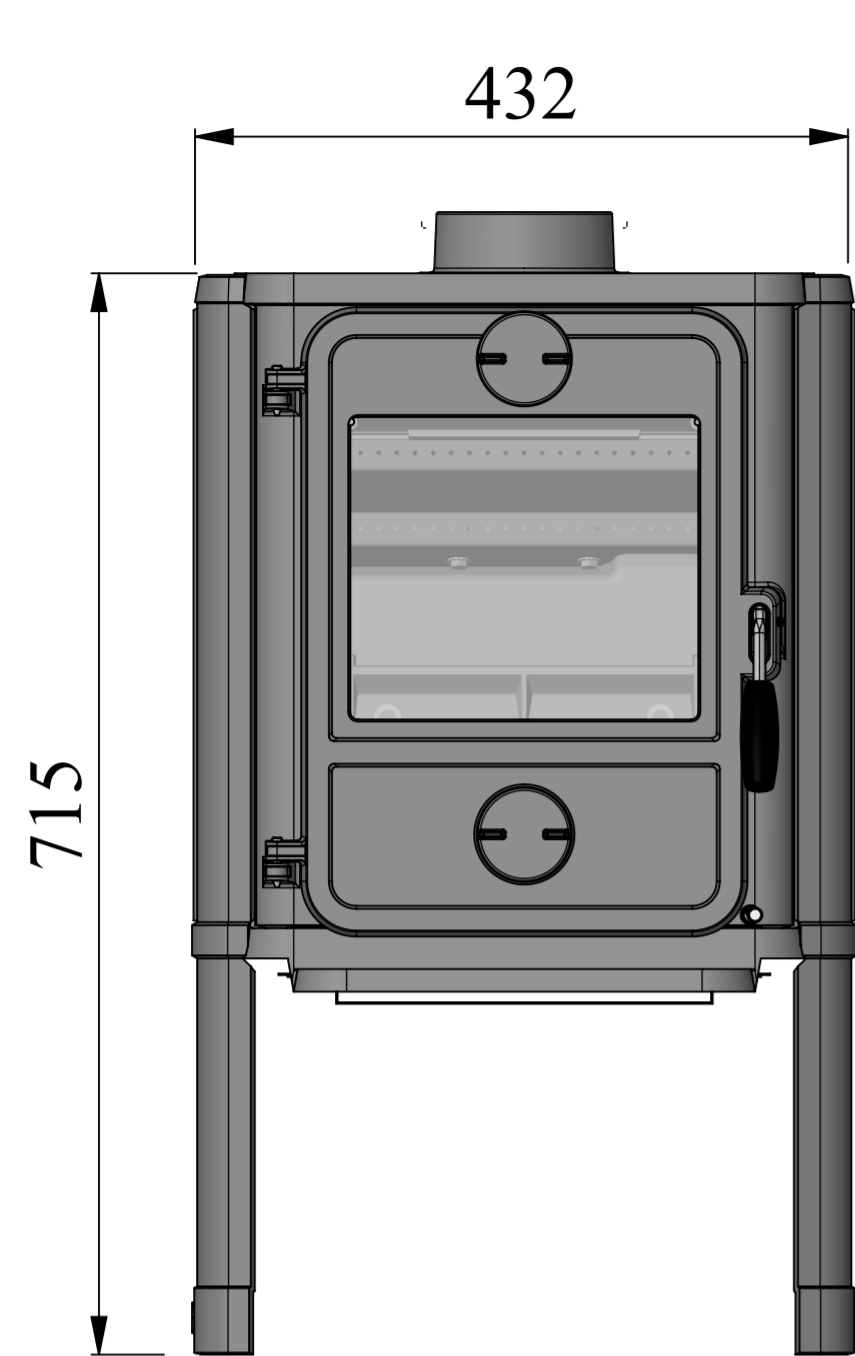
b		Tilføjet top view.	RSV	03.09.2010
Rev.		Revisions	Sign.:	Date:
		Title:	Construction:	RSV 07.07.2009
		Maalskitse	Released:	
Material:		1442 EN	Format:	A2
Weight:		Morsø 1400	Scale:	1:5
Model no.	-		Itemno.:	
Drawingtype:			Drawing no.:	1400-342 b
Location of file:	C:\Working\1400 Samling\tegning\3D\ASM			Side 2 of 4

This drawing is Morso Jernstøberi A/S' property and must not be sold, lendet or copied without any written authorization from the company.



b		Tilføjet top view.	RSV	03.09.2010
Rev.		Revisions	Sign.:	Date:
		Title:	Construction:	RSV 07.07.2009
		Maalskitse	Released:	
Material:		1442 EN	Format:	A2
Weight:		Morsø 1400	Scale:	1:5
Model no.	-		Itemno.:	
Drawingtype:			Drawing no.:	1400-342 b
Location of file:	C:\Working\1400 Samling\tegning\3D\ASM			Side 3 of 4

This drawing is Morsø Jernstøberi A/S' property and must not be sold, lent or copied without any written authorization from the company.



b		Tilføjet top view.	RSV	03.09.2010
Rev.		Revisions	Sign.:	Date:
Title:		Construction:	RSV	07.07.2009
Released:		Format:	A2	
Material:		Scale:	1:5	
Weight:		Itemno.:		
Model no.:		Drawing no.:		
Drawingtype:		Side 4 of 4		
Location of file:		1400-342 b		
C:\Working\1400 Samling\tegning\3D\ASM				

This drawing is Morso Jernstøberi A/S' property and must not be sold, lendet or copied without any written authorization from the company.